



wanders.com





Index

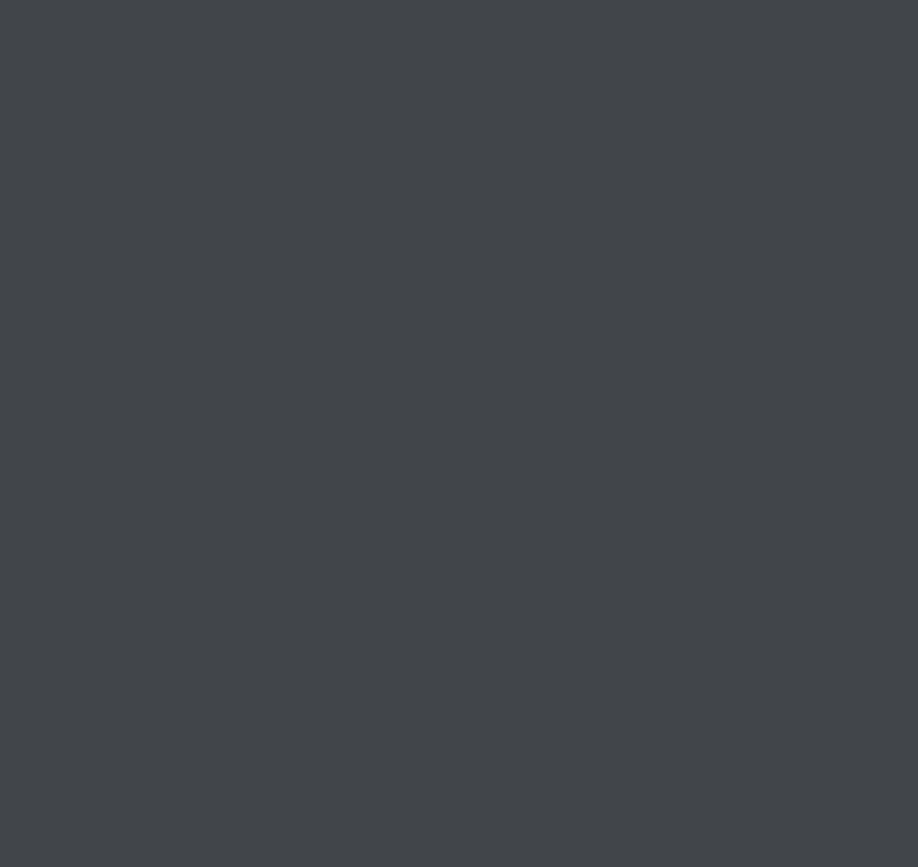
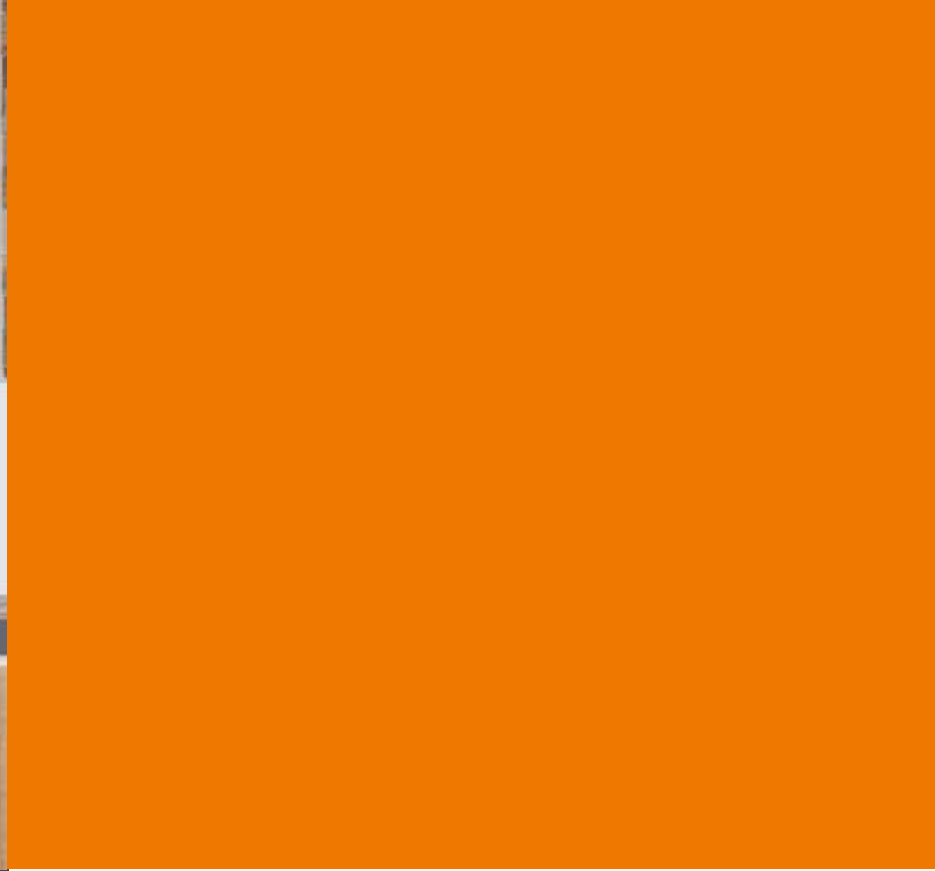
02-21 Gas

04-05	Lenga 500
06-07	Lenga 800
08-09	Koto
10-11	Douglas
12-13	Danta 500 / 800
14-15	Danta 1100 / 1400
16-17	Balsa
18	Tali
19	Square 40
20-21	Square 60G

22-42 Wood

24-25	Black Pearl Black Diamond
26-27	S black edition 60/75 Ruby
28-29	S 60 / 68 / 75 front
30-31	S 60 / 75 corner
32	Square 60 / 68 trilateral
33	Square 75 tunnel Jules
34-35	Elm
36-37	Oak
38-39	Platane
40-41	Pecan eco
42	Marvic
43	Peppel







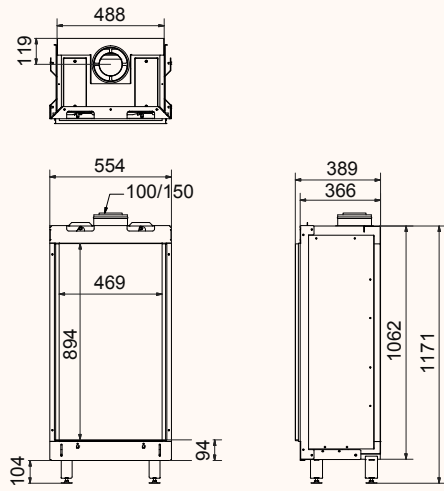
GAS



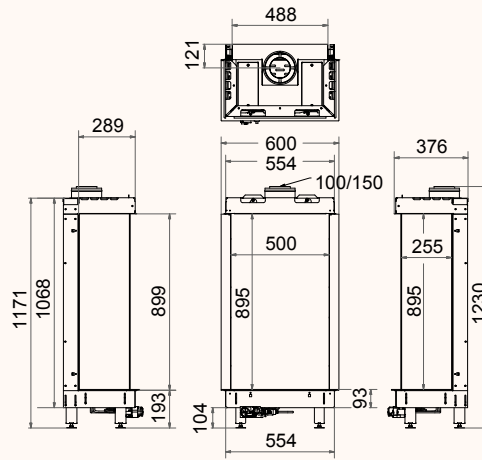
wanders
fires & stoves

Lenga 500

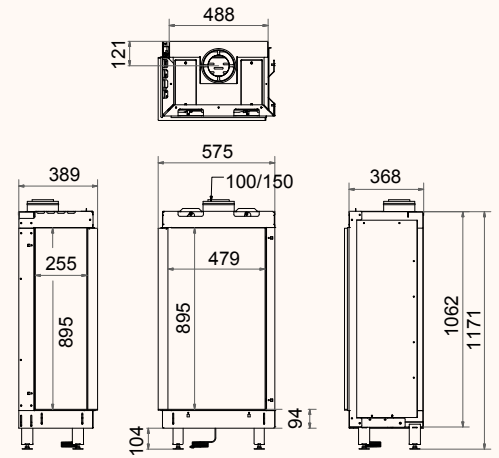
Lenga 500 A



Lenga 500 ABE



Lenga 500 AB/AE



Lenga 500 A



Lenga 500 AB



Lenga 500 ABE



Lenga 500 ABE



Black | In: 9,3 kW



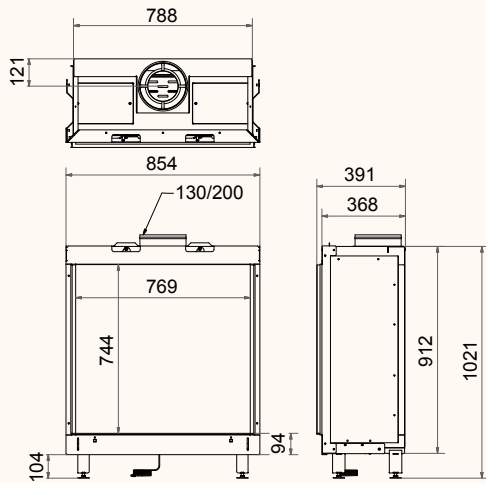
ECO



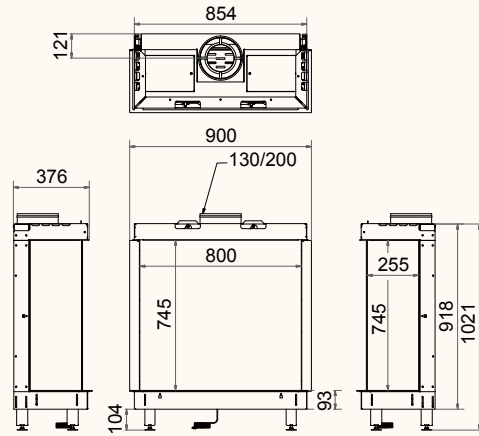
wanders
fires & stoves

Lenga 800

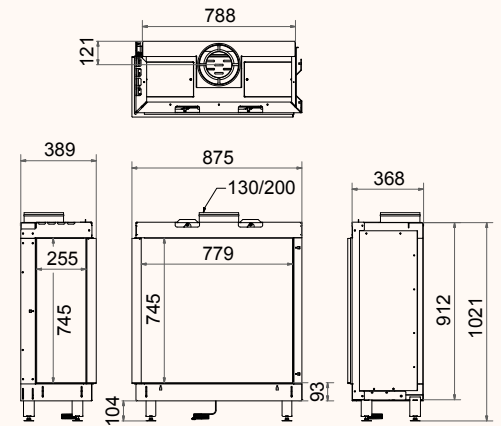
Lenga 800 A



Lenga 800 ABE



Lenga 800 AB/AE



Lenga 800 A



Lenga 800 ABE



Lenga 800 AE



Lenga 800 ABE



Black | In: 12,3 kW

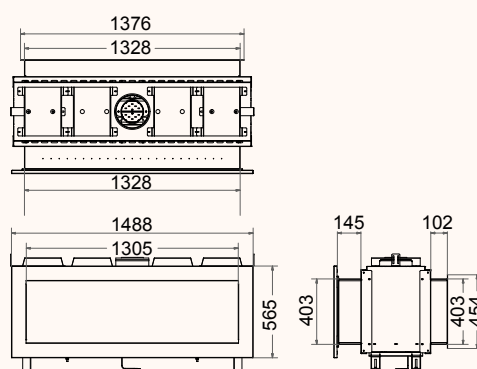
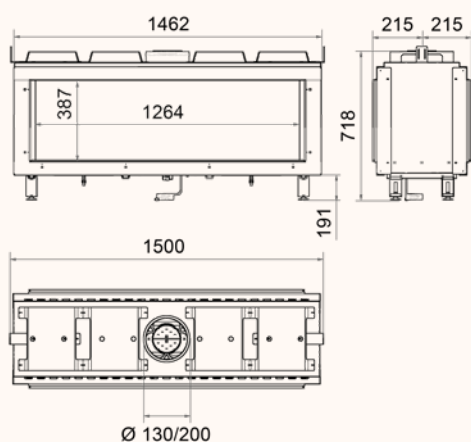
A++
A+
A
B
C
D
E
F
G

wanders
fires & stoves

Koto

Koto

Koto inside/outside



Koto



Koto



Koto inside/outside



Koto



Black | In: 11,7 kW



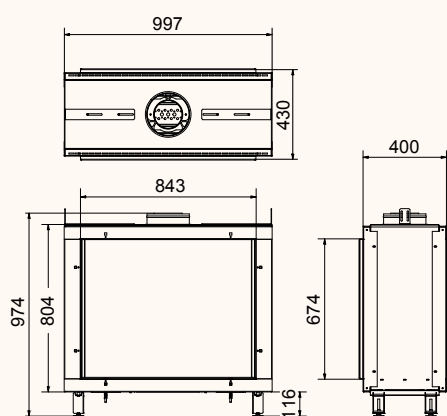
ECO



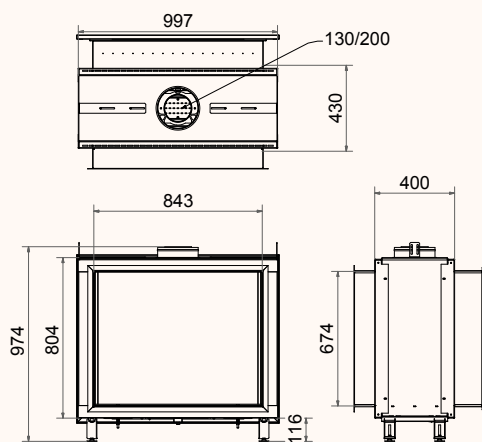
wanders
fires & stoves

Douglas

Douglas



Douglas inside/outside



Douglas



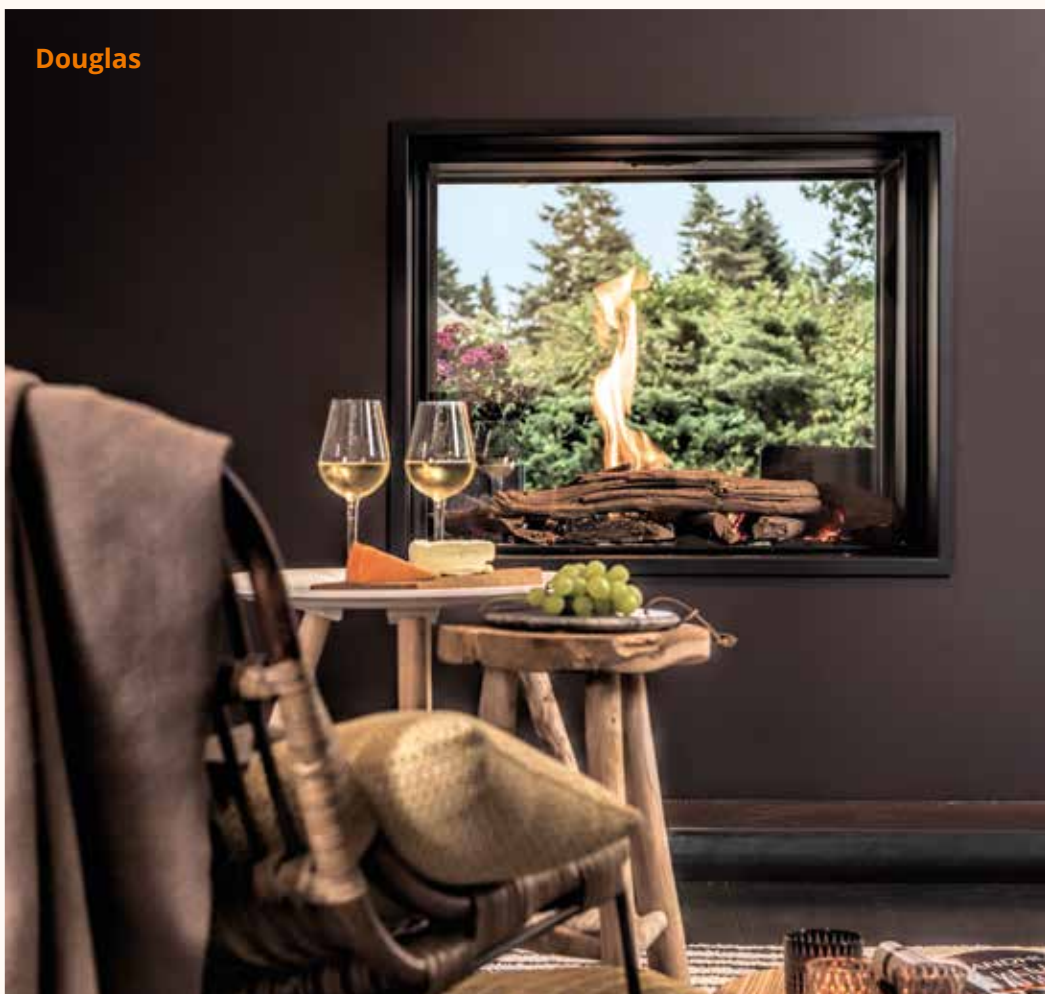
Douglas



Douglas



Douglas



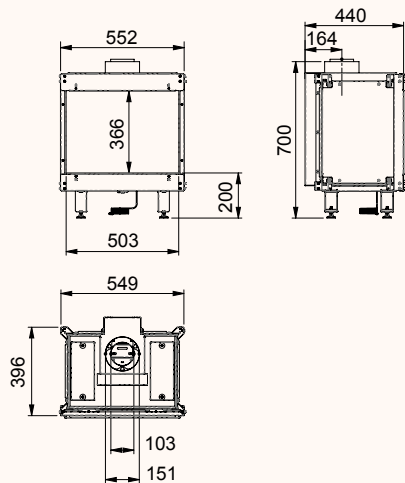
Black | In: 10,0 kW



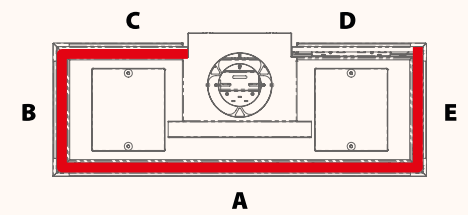
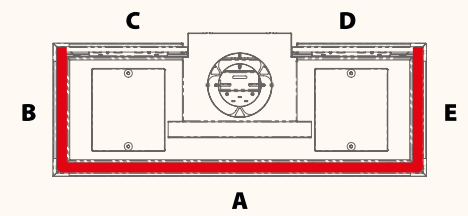
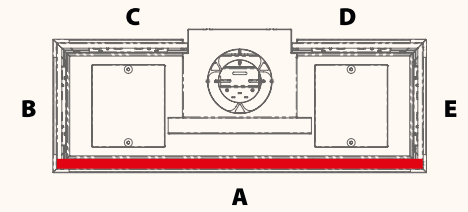
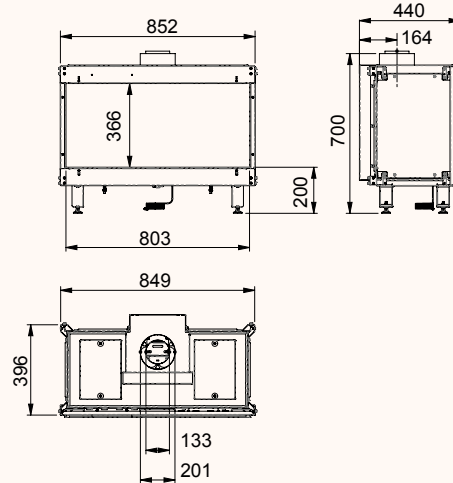
wanders
fires & stoves

Danta 500 / 800

Danta 500



Danta 800



Danta 500 ABCDE



Danta 800 AE



Danta 800 ABCDE



Danta 500 AB



Danta 500: Black | In: 6,8 kW

ECO 100/150 93,5

Danta 800: Black | In: 9,0 kW

ECO 130/200 91,0

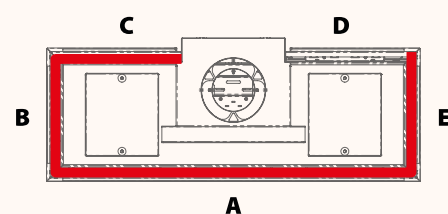
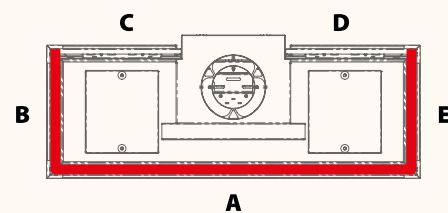
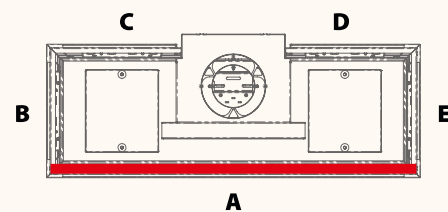
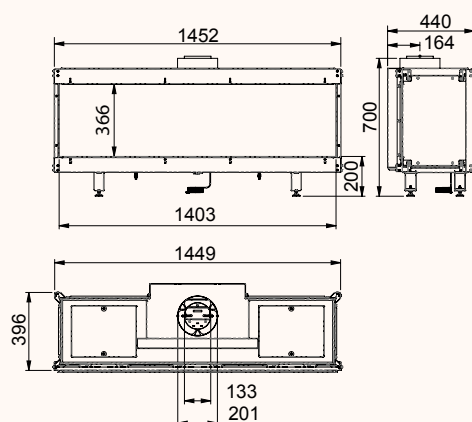
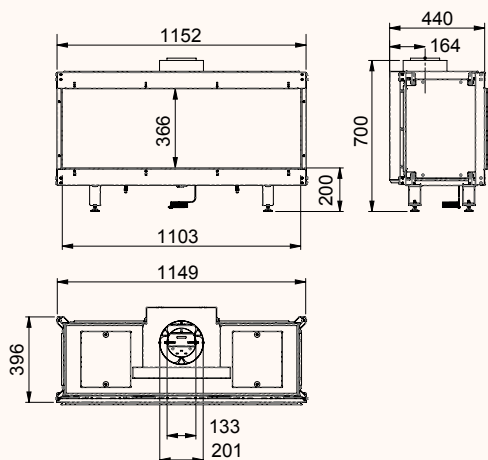
A+
A+
A
B
C
D
E
F
G

wanders
fires & stoves

Danta 1100 / 1400

Danta 1100

Danta 1400



Danta 1100 ABE





Danta 1100 ABDE



Danta 1400 ABCDE



Danta 1400 ABCDE

Danta 1100: Black | In: 11,7 kW

ECO

Danta 1400: Black | In: 14,0 kW

ECO

Danta 1100 → **A++**

Danta 1400 → **A+**

A

B

C

D

E

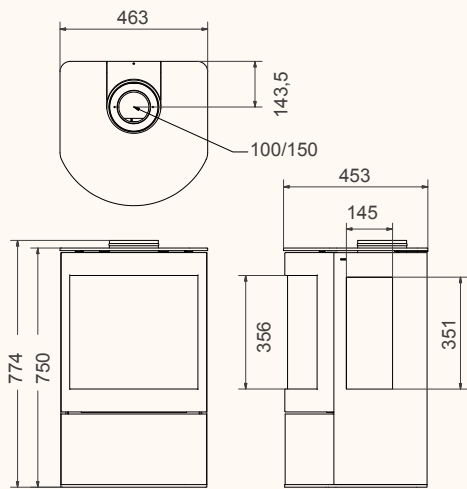
F

G

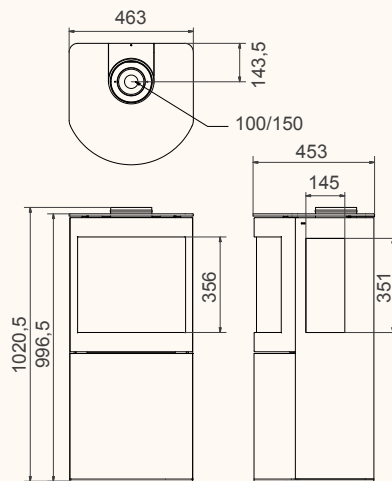
wanders
fires & stoves

Balsa

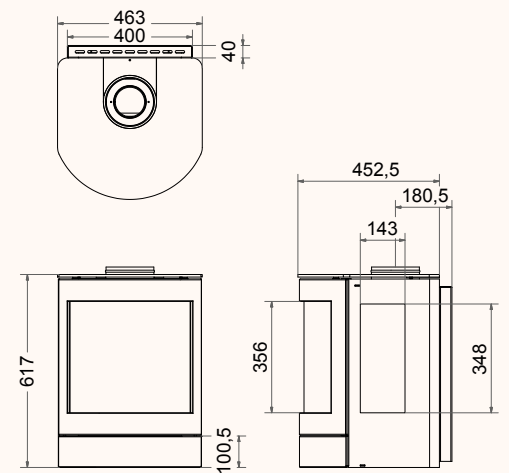
Balsa 75



Balsa 100



Balsa Wall



Balsa Wall



Black | In: 6,2 kW

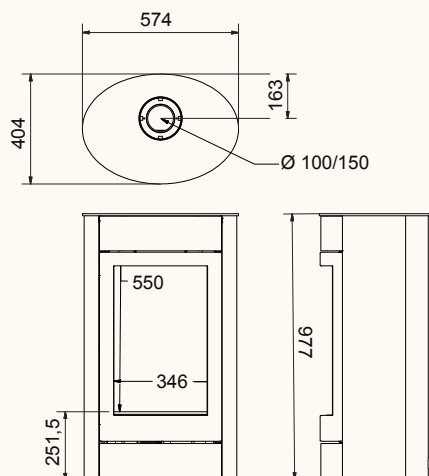
Energy efficiency scale:

- A⁺⁺
- A⁺
- A
- B
- C
- D
- E
- F
- G

wanders
fires & stoves

Tali

Tali



Tali

Black | In: 6,2 kW

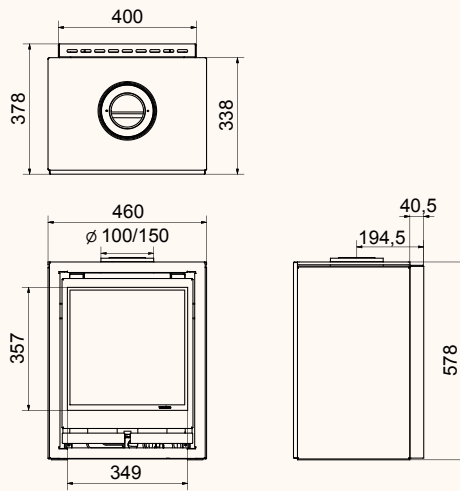
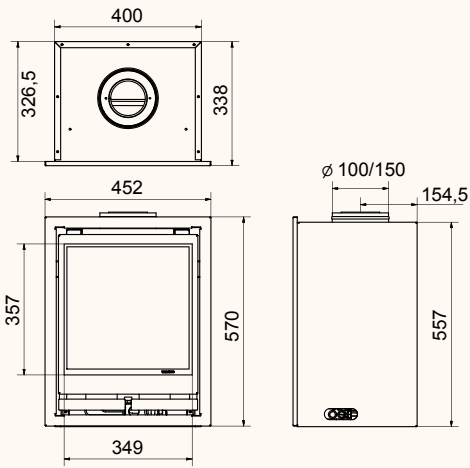


wanders
fires & stoves

Square 40G

Square 40G

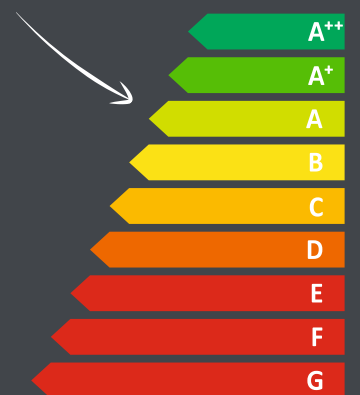
Square 40G Wall



Square 40G Wall



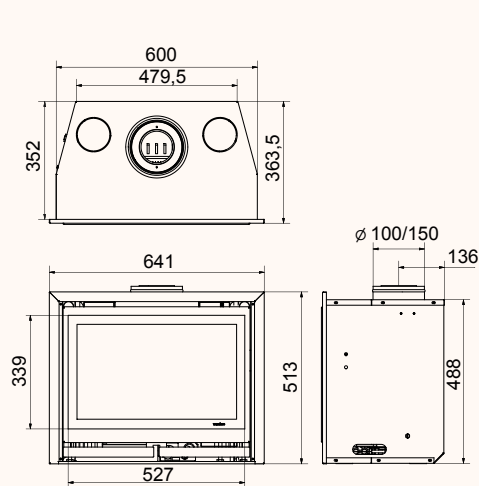
Black | In: 5,3 kW



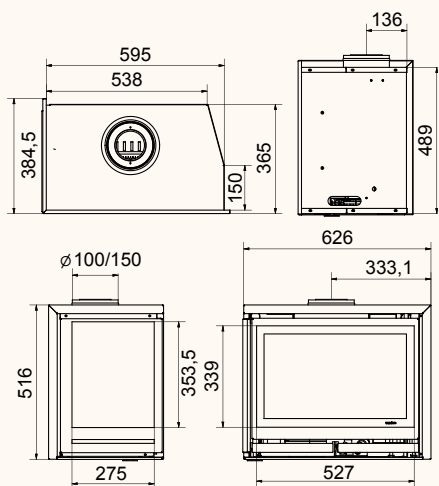
wanders
fires & stoves

Square 60G

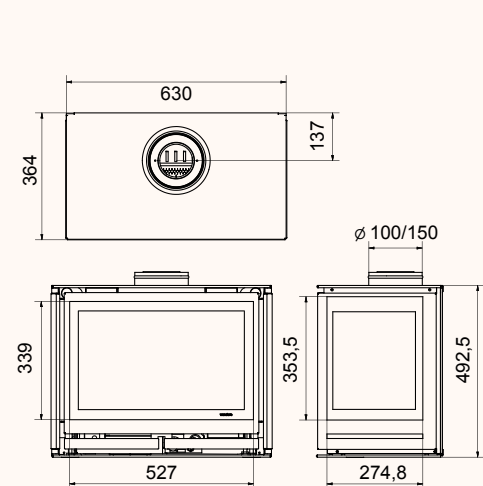
Square 60G front



Square 60G left/right



Square 60G trilateral



Square 60G right



Square 60G front



Square 60G trilateral



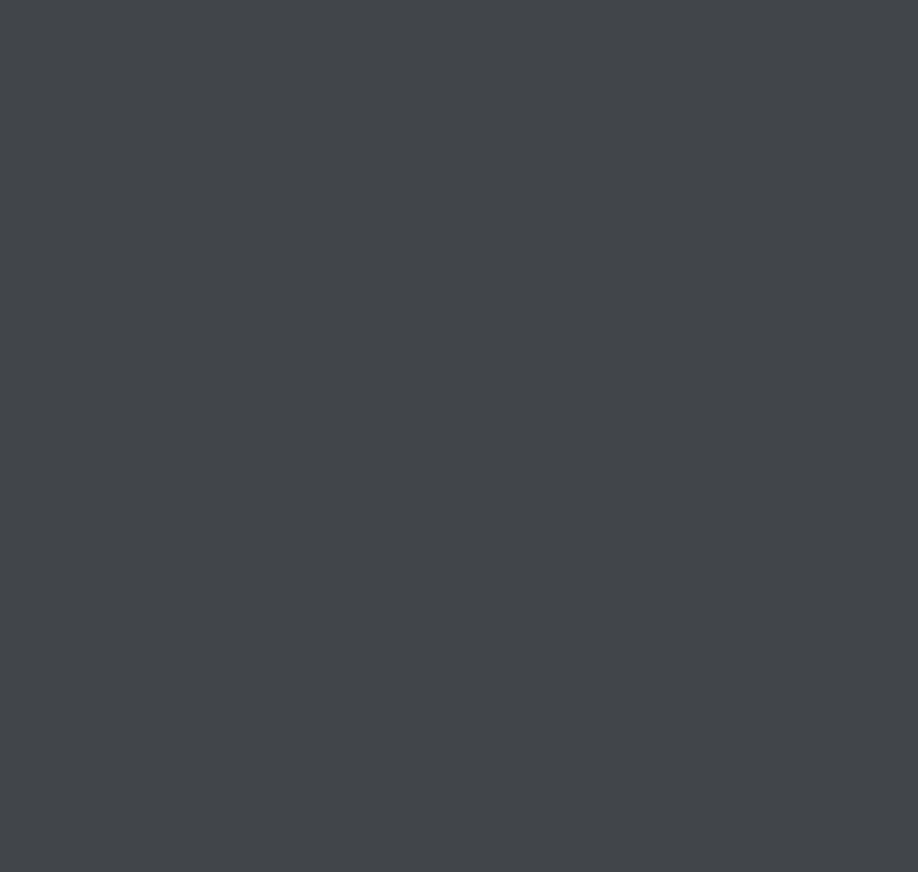
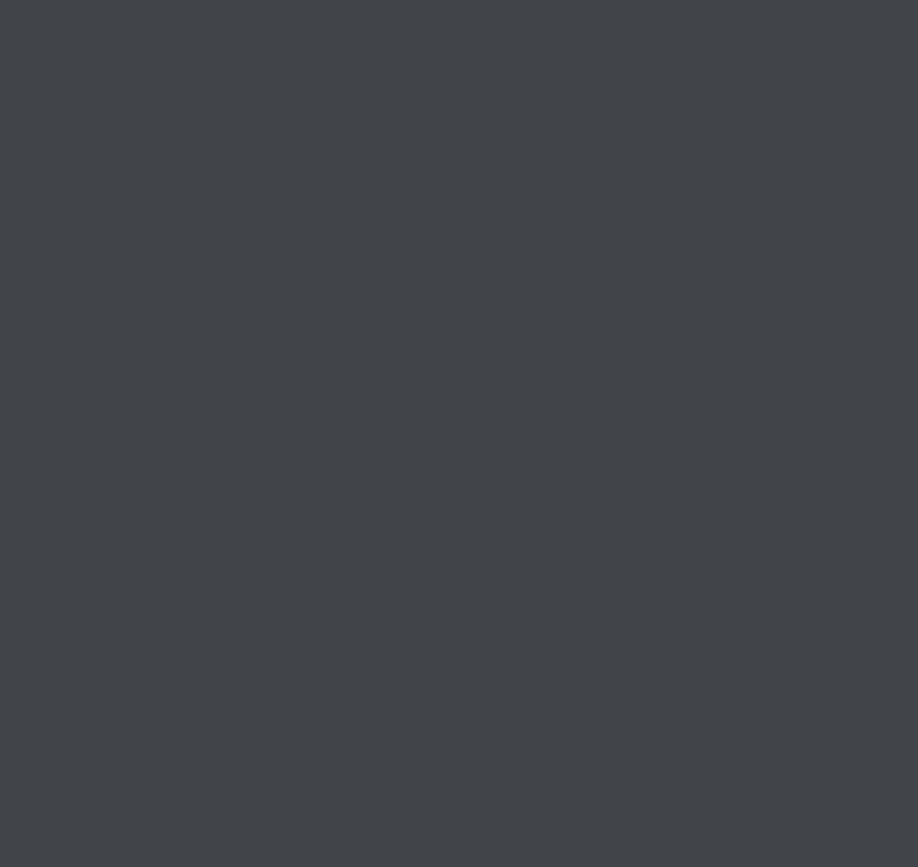
Black | In: 4,8 kW



ECO



wanders
fires & stoves





WOOD

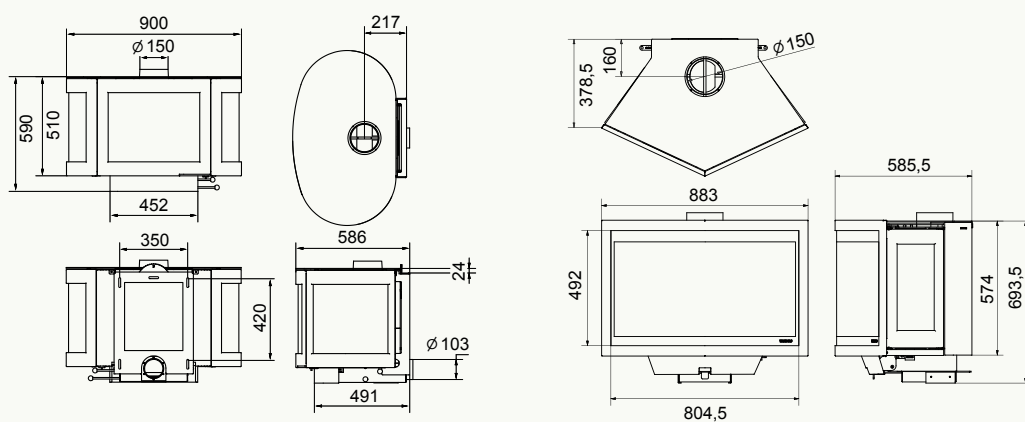


wanders
fires & stoves

Black Pearl / Black Diamond

Black Pearl

Black Diamond



Black Pearl



Black Diamond



Black Pearl



Black Diamond



Black Pearl: Black | 8-10 kW



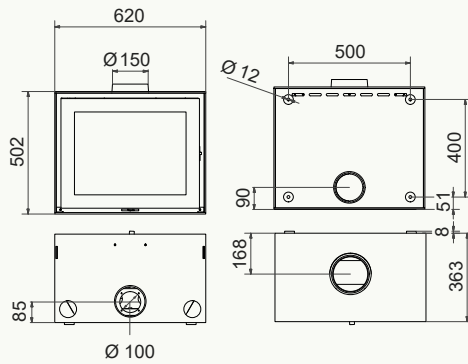
Black Diamond: Black | 8-10 kW



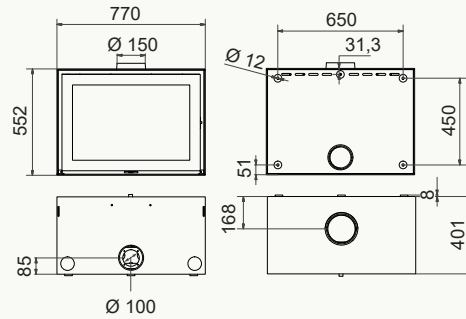
wanders
fires & stoves

S Black Edition / Ruby

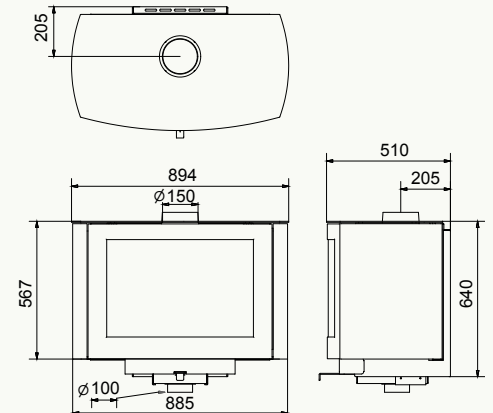
S 60 Black Edition



S 75 Black Edition



Ruby



Ruby



Ruby



S 60 Black Edition



S 60/75 Black Edition



S60 Black Edition: Black | 5-7 kW



S75 Black Edition: Black | 8-10 kW



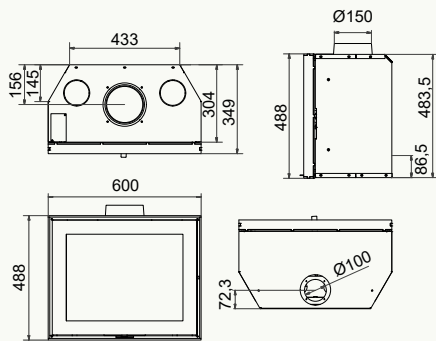
Ruby: Black | 8-10 kW



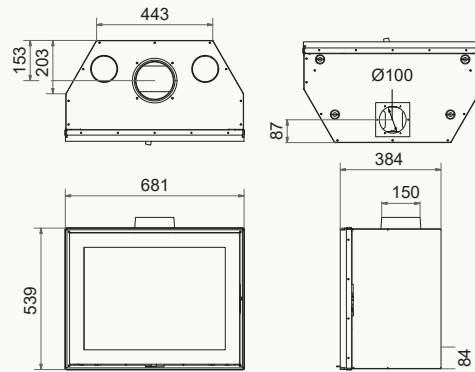
wanders
fires & stoves

S 60 / 68 / 75 front

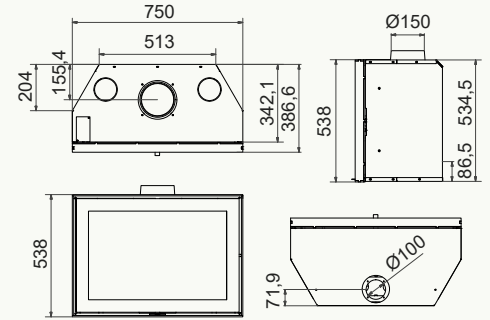
S 60 front



S 68 front



S 75 front

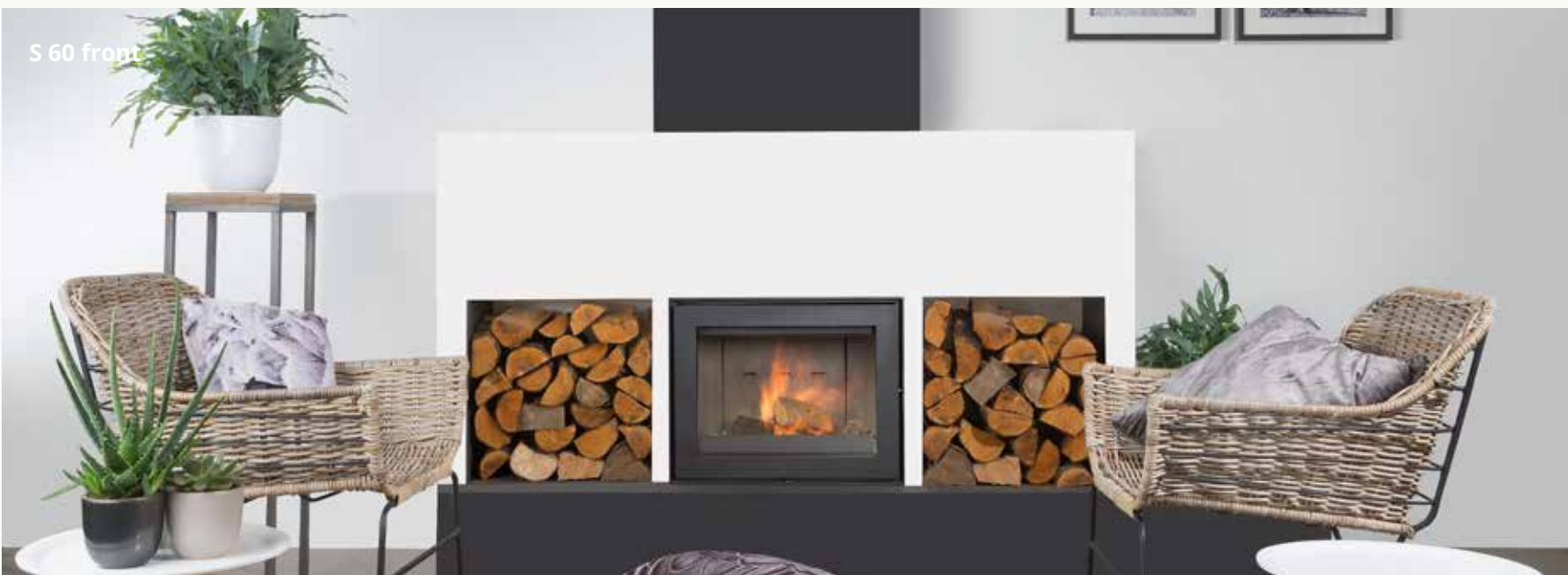


S 60 front





S 75 front



S 60 front

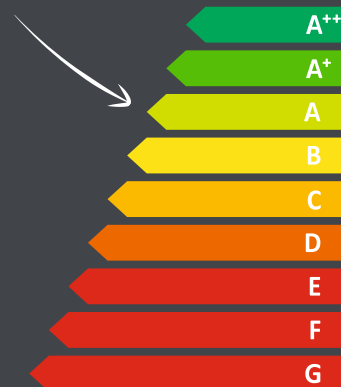


S 75 front

S60 front: Black | 5-7 kW

S68 front: Black | 6-8 kW

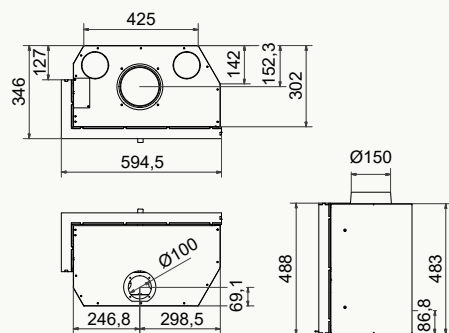
S75 front: Black | 8-10 kW



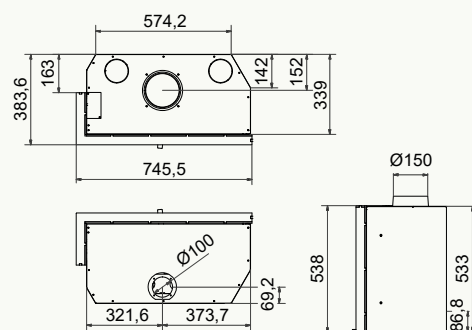
wanders
fires & stoves

S 60 / 75 corner

S 60 corner



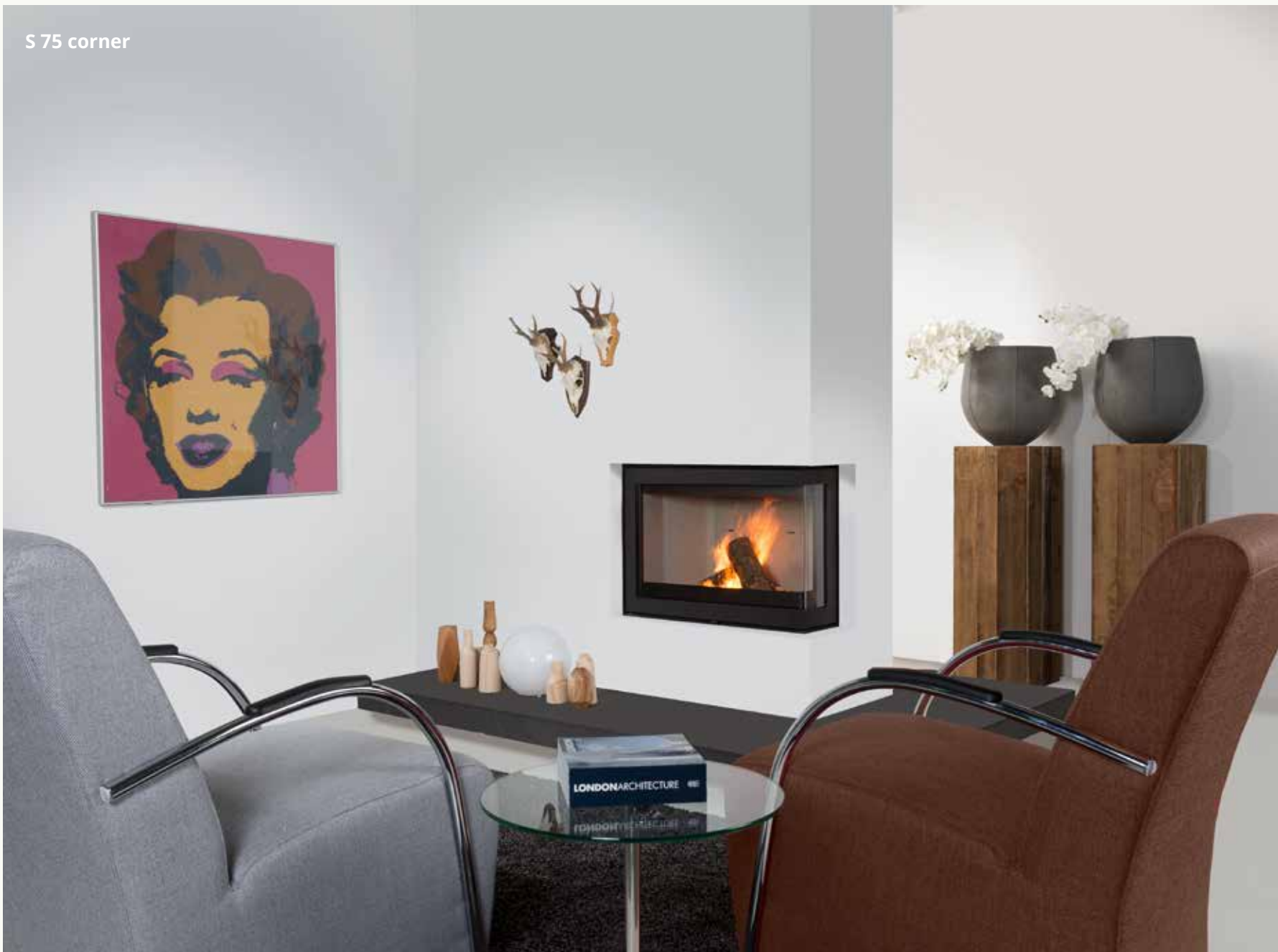
S 75 corner



S 60 corner



S 75 corner



S 75 corner



S60 corner: Black | 5-7 kW



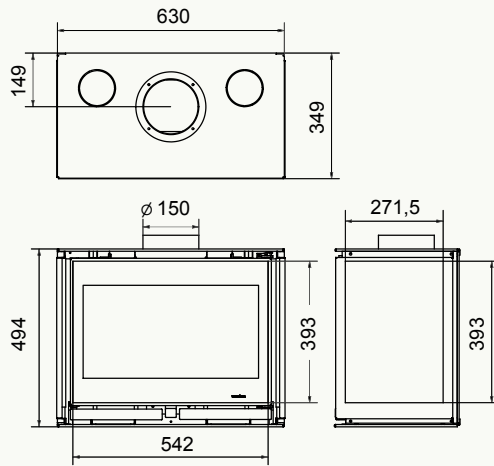
S75 corner: Black | 8-10 kW



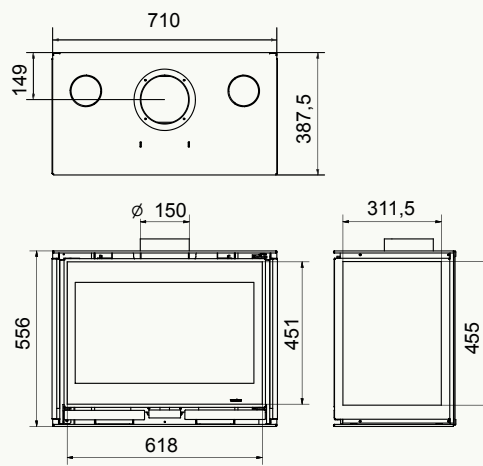
wanders
fires & stoves

Square 60 / 68 trilateral

Square 60 trilateral



Square 68 trilateral



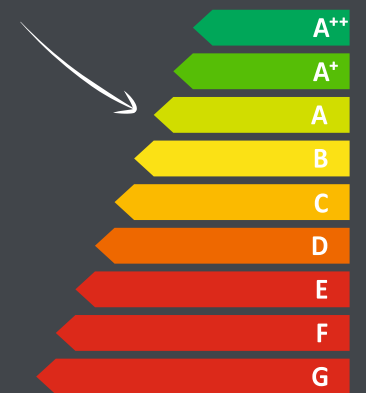
Square 60 trilateral



Square 60 trilateral Black | 5-7 kW



Square 68 trilateral Black | 7-9 kW

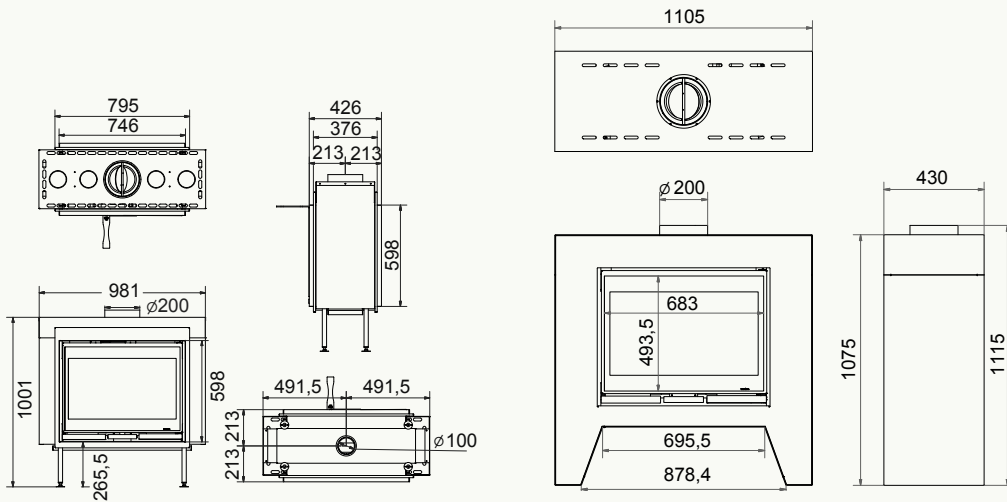


wanders
fires & stoves

Square 75 tunnel / Jules

Square 75 tunnel

Jules



Square 75 tunnel



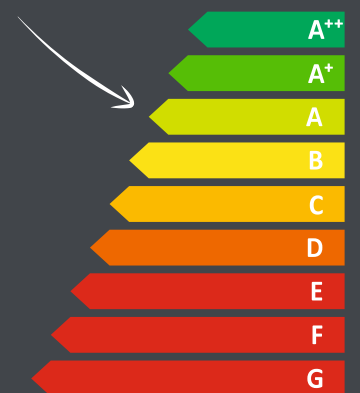
Jules



Square 75 tunnel: Black | 10-12 kW



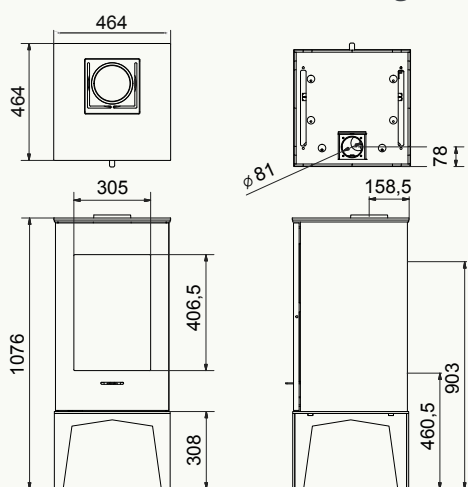
Jules: Black | 10-12 kW



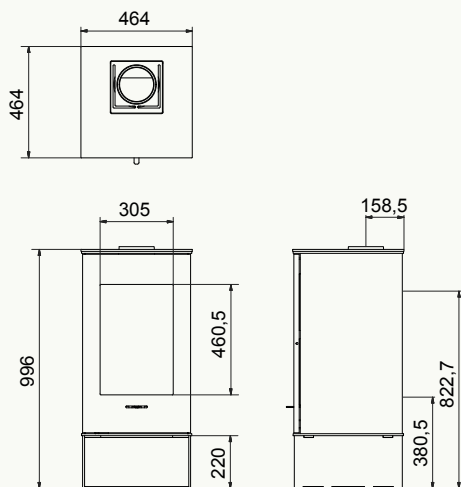
wanders
fires & stoves

Elm

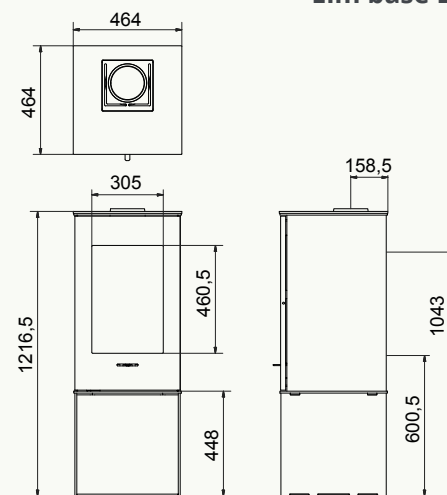
Elm original



Elm base M



Elm base L



Elm original



Elm M



Elm L



Elm L



Elm L



Elm: Black | 5-7 kW





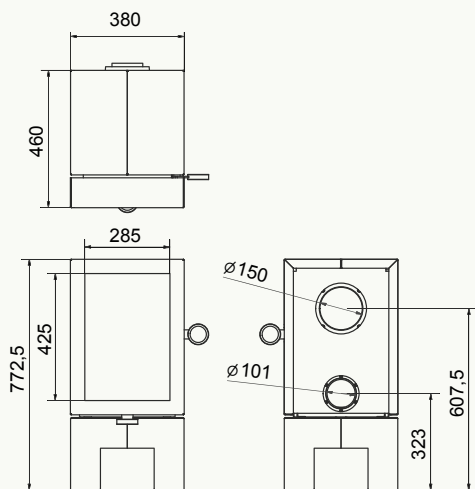





wanders
fires & stoves

Oak

Oak



Oak Concrete Grey



Oak Concrete White



Oak Steel



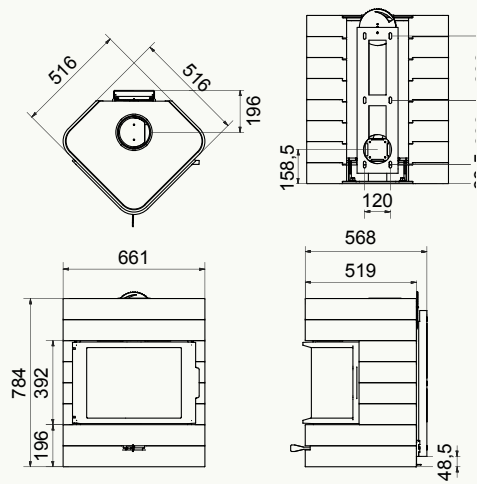
Black | 4-6 kW



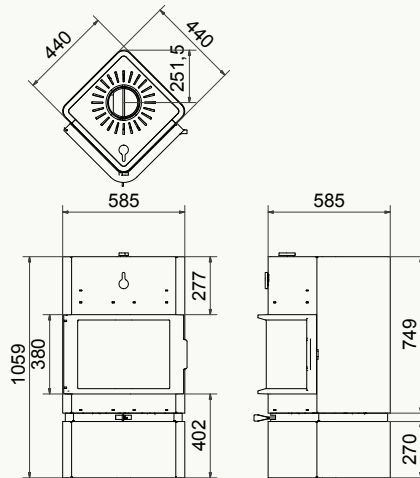
wanders
fires & stoves

Platane

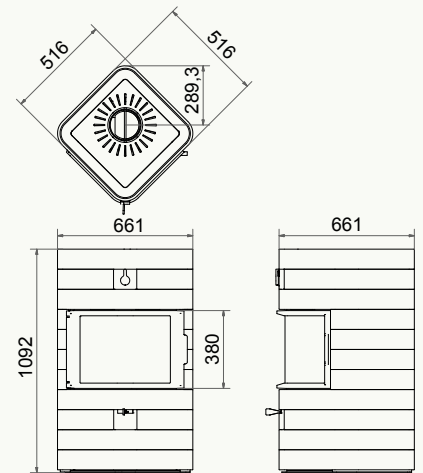
Platane concrete wall



Platane



Platane concrete



Platane wall



Platane



Platane wall



Platane



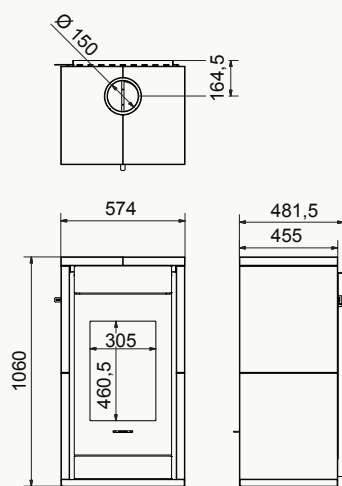
Black | 5-7 kW



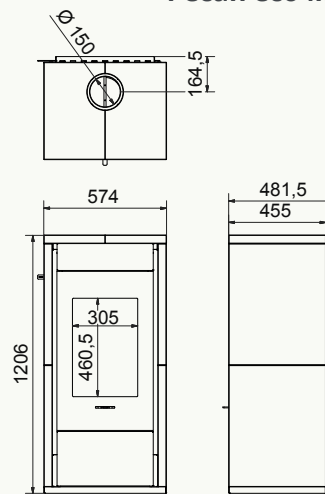
wanders
fires & stoves

Pecan eco

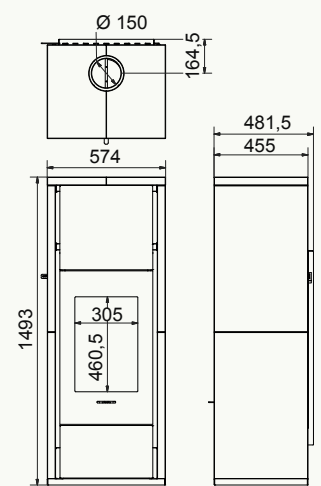
Pecan eco S



Pecan eco M



Pecan eco L



Pecan eco M





Pecan eco L



Pecan eco S



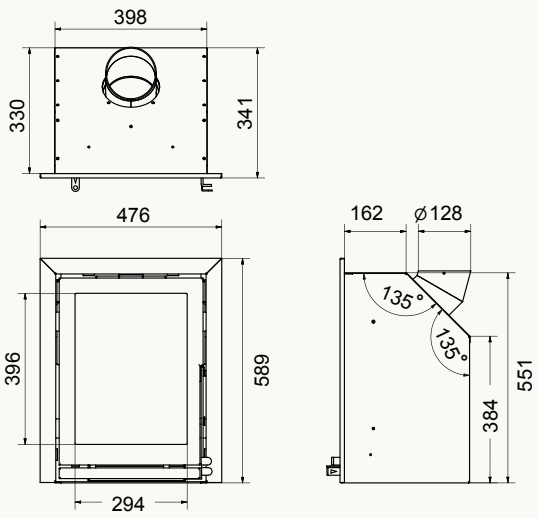
Pecan eco S

Black | 5-8 kW

wanders
 fires & stoves

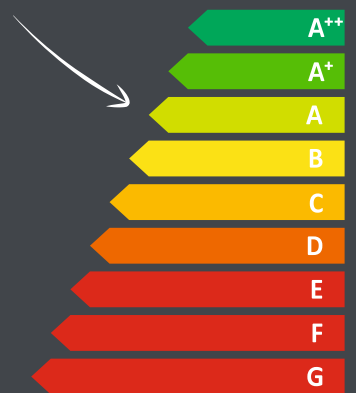
Marvic

Marvic



Marvic

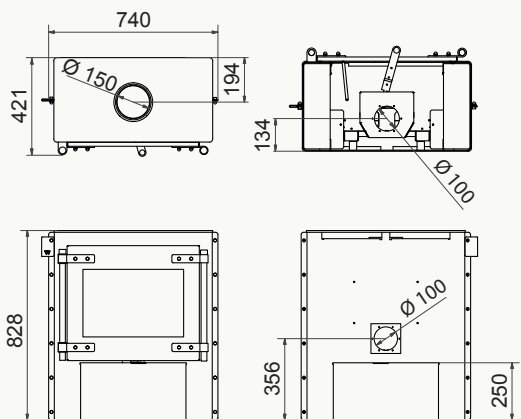
Black | 5-8 kW



wanders
fires & stoves

Peppel

Peppel

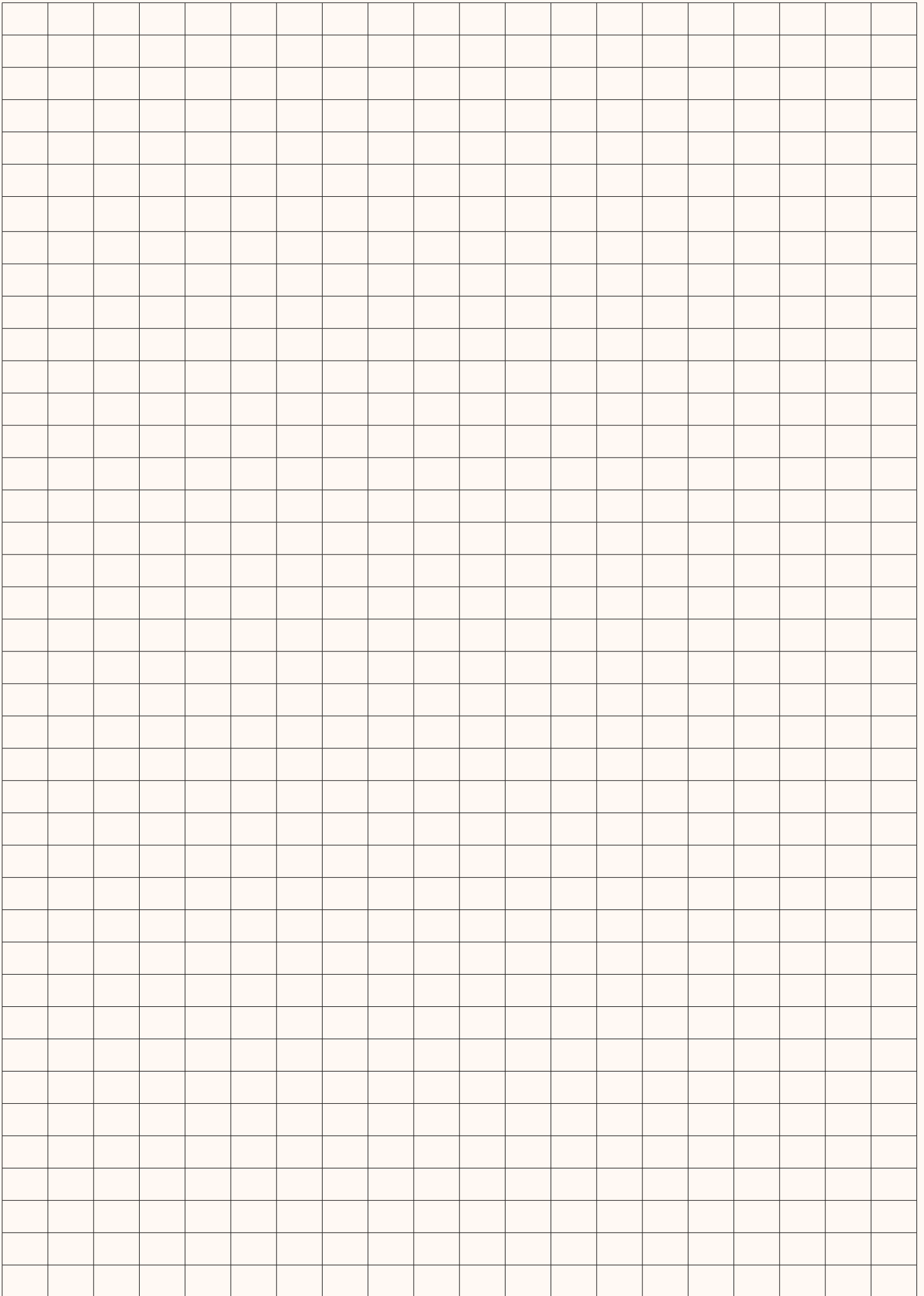


Black | 6,0 kW

Ø 150 % 77,0 → 🔌 B²

A++
A+
A
B
C
D
E
F
G

wanders
fires & stoves







wanders
fires & stoves



Amtweg 4, NL-7077 AL Netterden
The Netherlands
T +31 (0)315 - 386 414
E info@wanders.com
I www.wanders.com